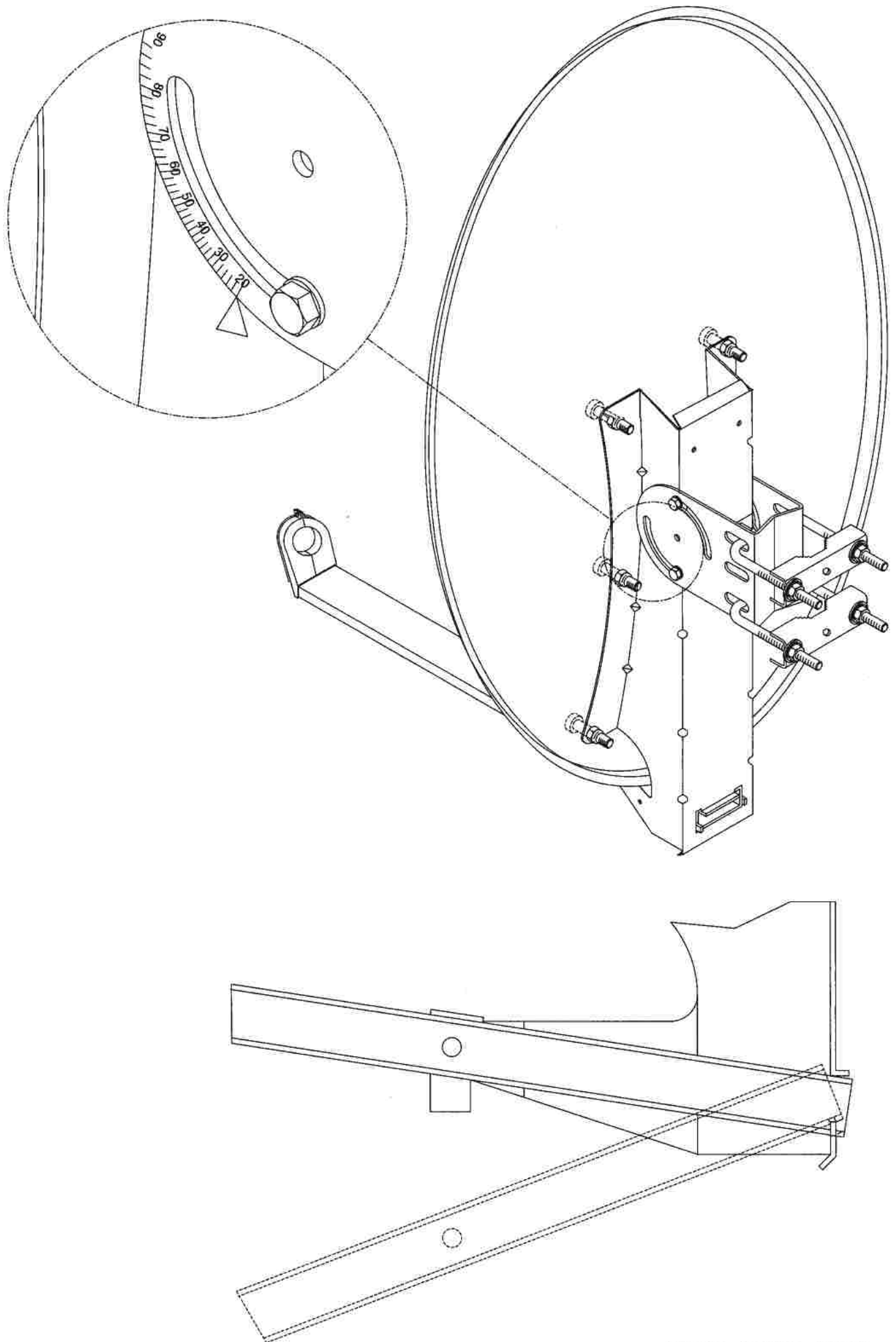


|    |                          |   |
|----|--------------------------|---|
| 01 | FIXING BRACKET           | 2 |
| 02 | CLAMP                    | 2 |
| 03 | FLAT WASHERS ø8 UNI 6592 | 6 |
| 04 | STOP WASHERS ø8 UNI 6798 | 6 |
| 05 | NUTS M8 UNI 5588         | 6 |
| 06 | PIVOT BRACKET            | 1 |
| 07 | REFLECTOR SUPPORT        | 1 |
| 08 | BOLTS M8x120 UNI 5737    | 2 |
| 09 | PIVOT PLATE              | 1 |
| 10 | FEED ARM                 | 1 |
| 11 | BOLT M6x65 UNI 5739      | 1 |
| 12 | FLAT WASHER ø6 UNI 6592  | 2 |
| 13 | NUTS M6 UNI 7473         | 7 |
| 14 | REFLECTOR                | 1 |
| 15 | BOLTS M6x12 UNI 5931     | 6 |
| 16 | LNB HOLDER               | 1 |
| 17 | SCREW DIN 6901           | 1 |



PL100../PX100../PX85..